



LOCATION		DATE
PREPARED BY		QUANTITY
COMMENTS		FIXTURE TYPE
CATALOG NUMBER		

Outdoor LED Flush Mount TPFW70050LWH, TPFW110050LWH

Features

All purpose LED Flush mount is an energy saving long-lasting alternative to Incandescent. Excellent use in cold climates. LED's turn on instantly at full brightness. Ideal use for security and general lighting. Provides lighting in residential, commercial, retail and hospitality applications.



Construction

Housing is die-formed 22-gauge aluminum.

Finish

All exposed metal surface area is painted lighting grade white gloss enamel finish.

Diffuser

Clear prismatic attaches to housing with machine screws (included).



Electrical

Input 120VAC / 60Hz.
Not compatible with dimmers.
Minimum starting temp -4° F/-20° C

LED

Integrated LED modules capable of producing:
9W = 900 source lumens, 700 delivered lumens
17W = 1800 source lumens, 1600 delivered lumens
5000K (CCT). Rated for 50,000 hrs, 80 CRI.

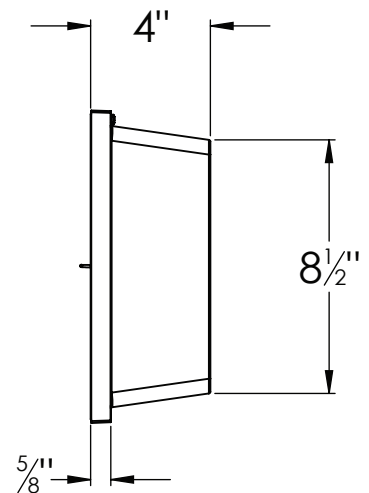
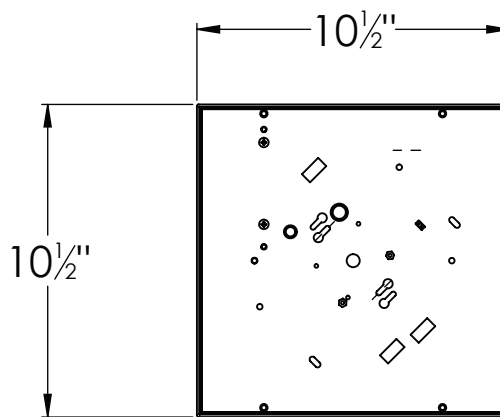
Certification

cETLus certified for wet locations.
Title 24/JA8 Compliant
ENERGY STAR® Qualified

Warranty

Limited warranty: This fixture is free from defects in materials and workmanship for a period of 5 years from date-of-purchase.

**Specifications and dimensions
subject to change without notice.**



Ordering Information:

White	LED	Source Lumens	Delivered Lumens	CCT	H	W	D
TPFW70050LWH	9W	900	700	5000K	10-1/2"	10-1/2"	4"
TPFW110050LWH	17W	1700	1600	5000K	10-1/2"	10-1/2"	4"